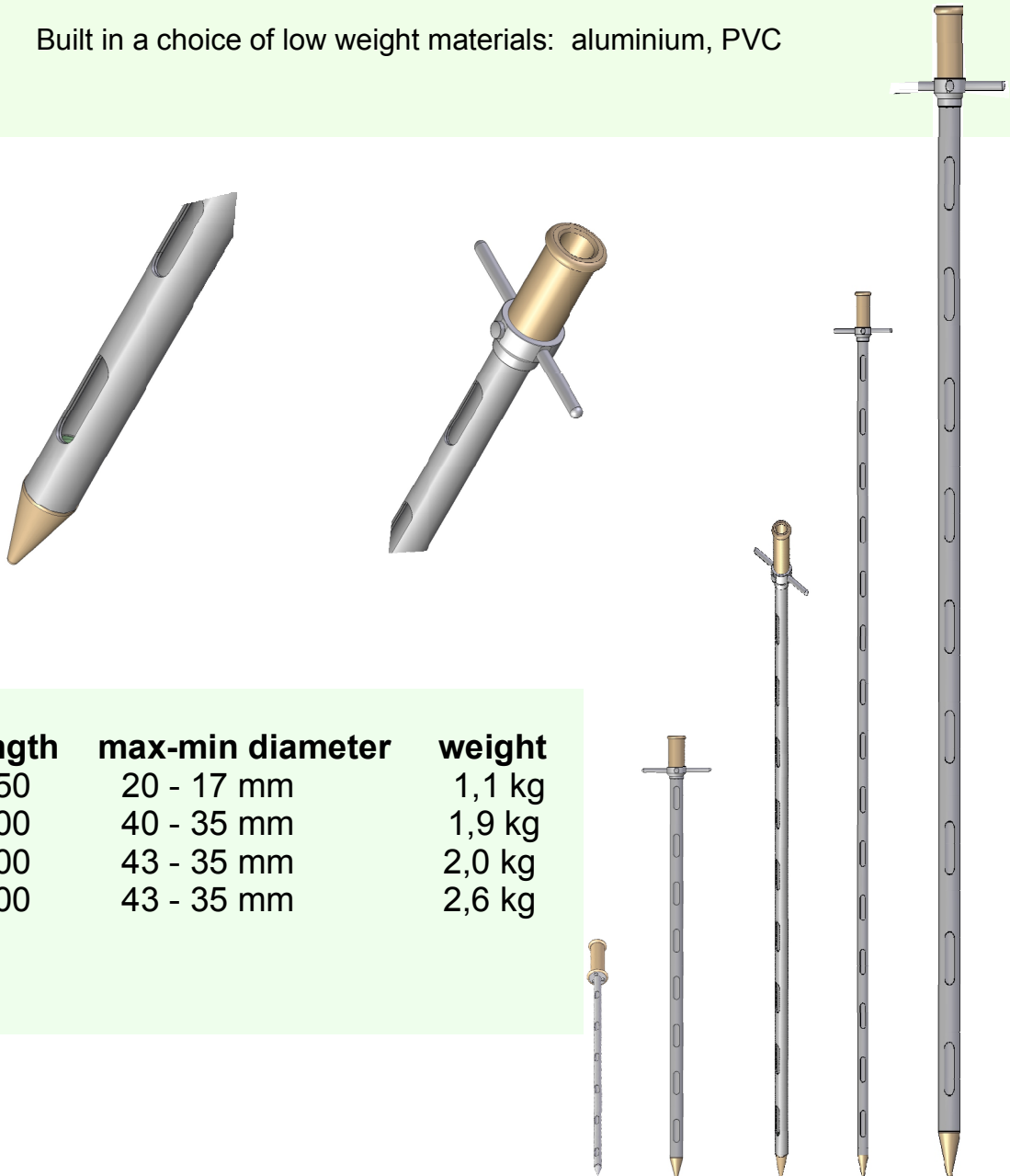


# HAND SAMPLING PROBE

- For sampling in grain, pellets and ground products: cereals, pulses, oil-cake , feed etc
- Built in a choice of low weight materials: aluminium, PVC



Length	max-min diameter	weight
850	20 - 17 mm	1,1 kg
1400	40 - 35 mm	1,9 kg
1600	43 - 35 mm	2,0 kg
2500	43 - 35 mm	2,6 kg